

babyplast The System



The micro injection moulding machine



The ideal machine for the
production of micro parts
Suitable for all types of *thermoplastic materials* up to **420°C**, metals (MIM),
ceramic (CIM), wax. PEEK & CO

Micro-injection moulding machine 6/10P

Maximum performance minimum space

The smallest but greatest

Babypplast 6/10P is one of the smallest, fully hydraulic, injection moulding machines. Thanks to the unique concept of the machine platens which act as mould bolsters, the cost and dimensions of the moulds are reduced considerably.

Babypplast 6/10P occupies less than 0,6m² of floor space and is extremely quiet (< 68dB)

Precision

Babypplast 6/10P Guarantees the highest precision thanks to the injection piston and pre-plastification of the material.

To obtain the optimum volume of material, there are 5 interchangeable pistons available.

It is also possible to move the injection unit off centre.

User friendly

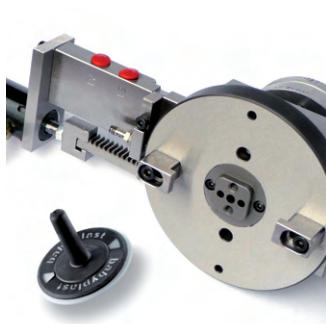
- Touch screen colour display.
- Easy to consult pages and user friendly display
- Handles and stores over 100 tool settings
- Back-up on USB memory drive
- Record of last 20 cycles
- Ethernet connections: modbus TCP



Standard mould parts



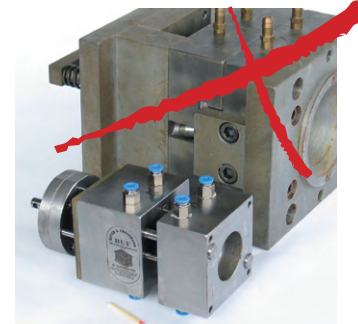
Rotating table for 2 shot applications



Fixed platen



The difference between Babypplast (left) conventional (right)





Included:

- Quality control (Cycle time/cushion/injection time)
- Automatic shut down in case of alarm
- De-compression
- Two injection pressures
- Possibility for off centre injection
- Temperature tolerance band
- PID temperature control
- Stand-by temperature
- Speed control on all movements
- Mould safety
- 2 clamp speeds
- Central ejector with up to 9 strokes
- Speed and pressure control on ejector
- Removable tie bars
- Ejector return sensor
- Easy to consult pages and user friendly display
- Multi-lingual
- Handles and stores over 100 tool settings
- Part counter – settings for production batches
- Integrated 4 zone cooling water manifold
- USB socket
- Intrusion programme
- Hour meter
- Sprue break
- Injection and clamp positions monitored via transducers
- Electronic transducer for pressure control
- Inverter for motor speed control
- Colour touch screen display.
- 4th zone for mould temperature control



Optional:

- Mixer nozzle (static mixer)
- Euromap 67
- Accumulator for injection speed.
- Shut off nozzle
- Nozzle with tip for injecting directly into part.
- 5th mould heater zone
- Hydraulic or pneumatic core pull
- Ethernet modbus
- Interface for second injection unit for 2 shot applications
- LSR injection unit
- Rotating table
- Air blow
- Cooling ring for moving platen
- Special spec. For high temperature materials
- Hot runners
- Output for wiper arm to reject parts

Applications:

- Production of small precision parts
- Long and short production runs
- Laboratory tests / sample production
- Prototyping
- Medical products / clean room applications
- Technical training

Machine with accessories

- Bench
- Chiller
- Drier
- De-humidifier
- Temperature controller max. 90°C.
- Sprue separator

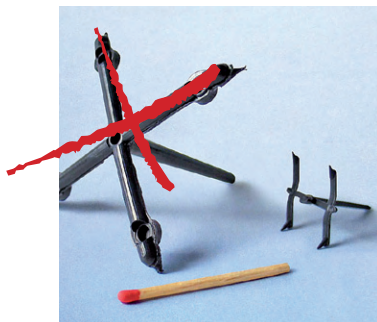
Foot print of only 0,7 mq.

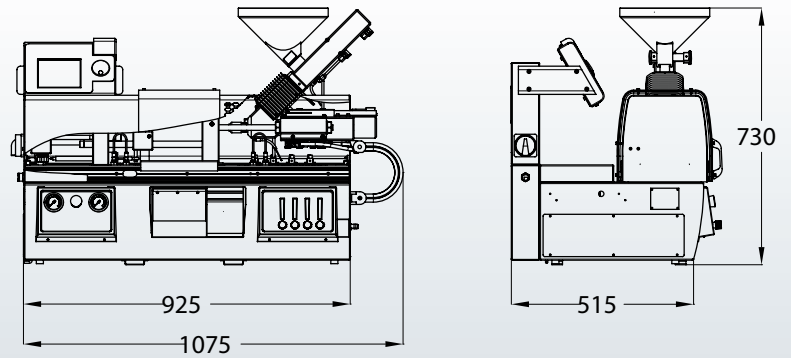


Accessories:

- Bench with space for chiller
- Drier
- Loader for plastic materials (electric or Venturi)
- Temperature controller for moulds
- Sprue separator
- Electrical cabinet for accessories
- Set of drawers for moulds

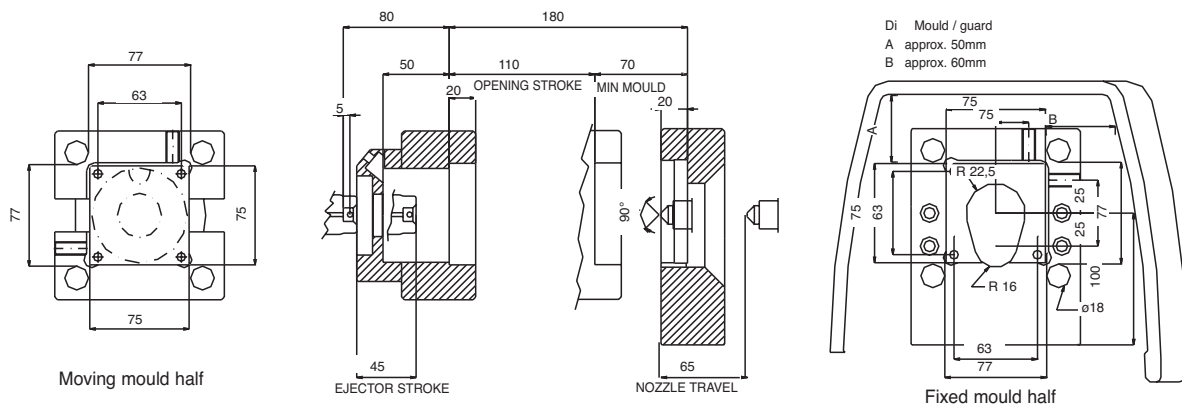
The difference:



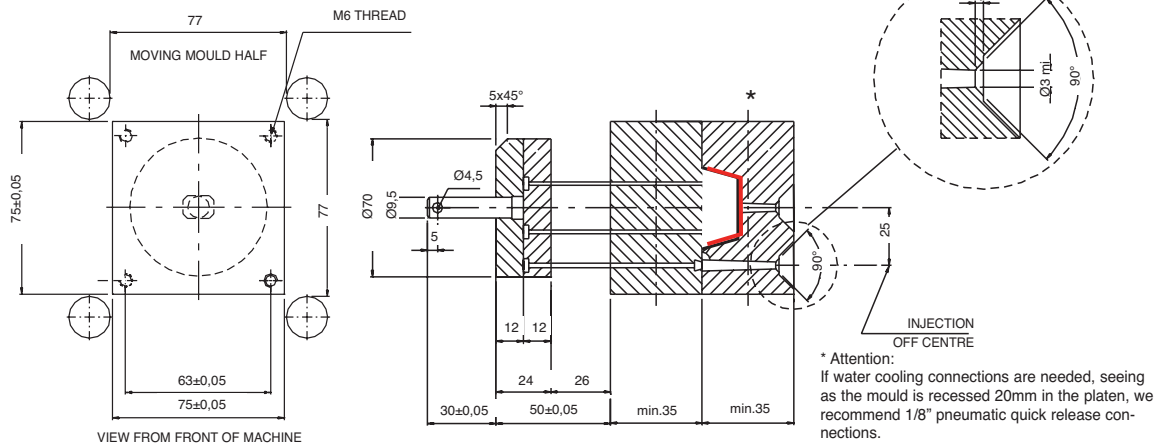


Micro-injection moulding machine 6/10P technical data

Dimensions of machine platens



Mould dimensions



Piston diameter (mm):	10	12	14	16	18
Injection volume (cm3):	4	6,5	9	12	15
Injection pressure (bar):	2030	1850	1340	1030	815
Clamping force:	62 kN				
Min. dist. between platens:	30 mm (55 mm)*				
Max. dist. between platens:	140 mm (165 mm)*				
Opening stroke:	110 mm				

*Possible by moving spacers

Ejector force:	7,4 kN
Ejector stroke:	45 mm
Oil tank capacity:	16 l
Power consumption:	3 kW
Weight:	150 kg
Mould dimensions:	75 x 75 x 70 mm (min.)
Power supply:	400 V 50 Hz

Southeast Asia Exclusive Distributor:

Formative Tech Pte Ltd

25 Woodlands Industrial Park EI #06-01 Singapore 747743

Tel: +65 6362 4023 Email: info@ft.sg www.ft.sg